

BRUGNOTTO
SHOP INTERIORS

Bjørn Haug AS
Oserødmyra 2
3138 SKALLESTAD
Tlf: 33 29 99 90

www.bjornhaug.no
bjorn@bjornhaug.no

8
LINEAOTTO

BRUGNOTTO
SHOP INTERIORS

8

LINEAOTTO



LINEA OTTO

Collezione di arredo modulare che "rivisita" l'armadio.

Armadi di diverse misure, realizzati in nobilitato lucido verniciato antigraffio, attrezzati con cremagliera per un sistema di accessori da collocare, che li rende estremamente versatili.

Eventualmente con pannelli da fissaggio a parete con lo stesso design, offrono varie possibilità di scelta e possono essere realizzati anche con finitura radica in due colori.

Tavoli con gambe tornite stile barocco e piano superiore in nobilitato, tavolo desk con cassetti e vani, tutto in nobilitato lucido verniciato antigraffio, completano questa importante collezione di arredamento.

LINE EIGHT

This modular furnishing collection re-proposes the "wardrobe": of various sizes, all the wardrobes are made by glossy faced panels with non-scratch finishing (U.V. treated) and are equipped with racks. This system makes the accessories suitable for different uses.

As option, they can be supplied – with unchanged design – having panels for fixing on the wall; in this case a number of choices are available.

Besides, the root finishing can be coloured in two different solutions.

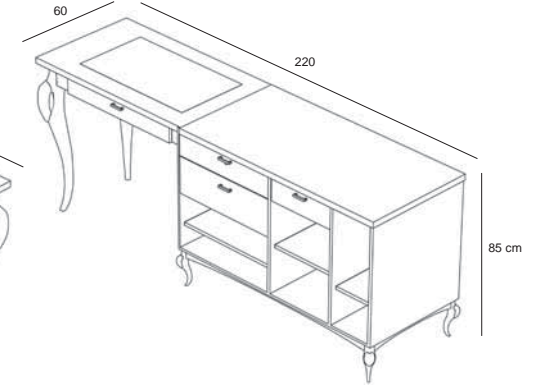
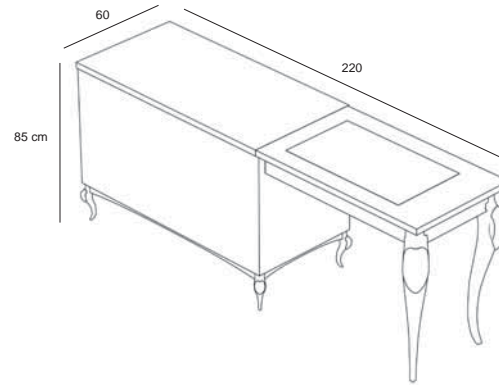
In such a particular furnishing line we can also have: tables with well-shaped legs in the "Barocco" style and faced tops, desk-tables with chests of drawers.

All items are made by glossy faced panels with non-scratch finishing (U.V. treated).





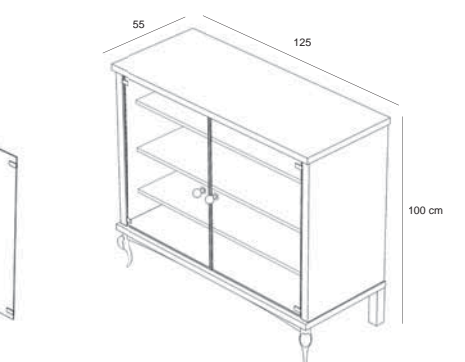
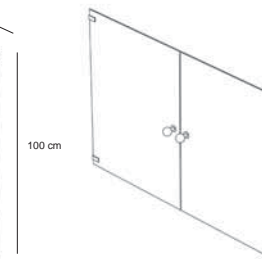
BANCHI CASSA
CASH COUNTERS



8BC1

Banco cassa
Porzione tavolo in nobilitato lucido
con vetro ad incastro
Desk in nobilitato opaco
Cash counter
Table side in glossy faced panel
with recessed glass
Desk in opaque faced panel
L.220 x P.60 x H.85 cm

MODULO RETRO CASSA
BACK-CASH MODULE



8RC/L

Modulo retro cassa in nobilitato lucido
Con piedini laccati bianco/nero lucido
Back-Cash module in glossy faced panel
With glossy white/black lacquered legs
L.125 x P.55 x H.100 cm

8RC/V

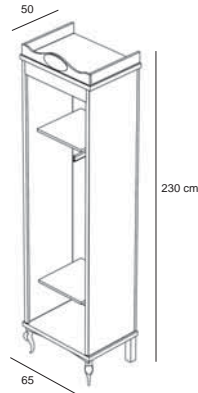
Coppia ante in vetro temperato per modulo retro cassa
Pair of tempered glass doors for back cash module

8RC/N

Modulo retro cassa in nobilitato opaco
Con piedini laccati bianco/nero lucido
Back-Cash module in opaque faced panel
With glossy white/black lacquered legs
L.125 x P.55 x H.100 cm



ARMADI WARDROBES



8ARM1/L

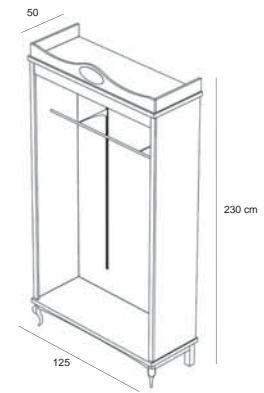
Armadio con illuminazione interna con cremagliera singola
in nobilitato lucido con piedini ed ovale laccati bianco/nero lucido
*Wardrobe with internal lighting with single rack
In glossy faced panel with glossy white/black lacquered legs and oval
L.65 x P.50 x H.230 cm*

8ARM1/N

Armadio con illuminazione interna con cremagliera singola
in nobilitato opaco con piedini ed ovale laccati bianco/nero lucido
*Wardrobe with internal lighting with single rack
In opaque faced panel with glossy white/black lacquered legs and oval
L.65 x P.50 x H.230 cm*

8ARM1/V

Anta in vetro temperato per armadio
Tempered glass door for wardrobe



8ARM2/L

Armadio con illuminazione interna con doppia cremagliera
in nobilitato lucido con piedini ed ovale laccati bianco/nero lucido
*Wardrobe with internal lighting with double rack
In glossy faced panel with glossy white/black lacquered legs and oval
L.125 x P.50 x H.230 cm*

8ARM2/N

Armadio con illuminazione interna con doppia cremagliera
in nobilitato opaco con piedini ed ovale laccati bianco/nero lucido
*Wardrobe with internal lighting with double rack
In opaque faced panel with glossy white/black lacquered legs and oval
L.125 x P.50 x H.230 cm*

8ARM2/V

Coppia ante in vetro temperato per armadio
Pair of tempered glass doors for wardrobe

PANNELLI PANELLS

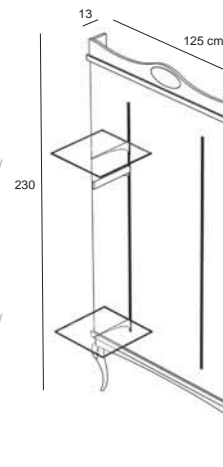


8PA1/L

Pannello retroilluminato con cremagliera
In nobilitato lucido
Con piedini ed ovale laccati bianco/nero lucido
*Back-lighted panel with rack
In glossy faced panel
With glossy white/black lacquered legs and oval
L.65 x P.13 x H.230 cm*

8PA1/N

Pannello retroilluminato con cremagliera
In nobilitato opaco
Con piedini ed ovale laccati bianco/nero lucido
*Back-lighted panel with rack
In opaque faced panel
With glossy white/black lacquered legs and oval
L.65 x P.13 x H.230 cm*



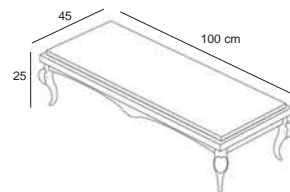
8PA2/L

Pannello retroilluminato con doppia cremagliera
In nobilitato lucido
Con piedini ed ovale laccati bianco/nero lucido
*Back-lighted panel with double rack
In glossy faced panel
With glossy white/black lacquered legs and oval
L.125 x P.13 x H.230 cm*

8PA2/N

Pannello retroilluminato con doppia cremagliera
In nobilitato opaco
Con piedini ed ovale laccati bianco/nero lucido
*Back-lighted panel with double rack
In opaque faced panel
With glossy white/black lacquered legs and oval
L.125 x P.13 x H.230 cm*

PEDANA INGINOCCHIATOIO KNEELER PLATFORM



8PED/L

Pedana con piano in nobilitato lucido
Con piedini laccati bianco/nero lucido
*Platform with plane in glossy faced panel
With glossy white/black lacquered legs
L.100 x P.45 x H.25 cm*

8PED/N

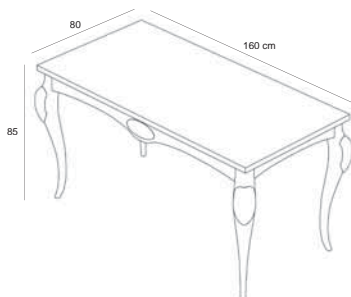
Pedana con piano in nobilitato opaco
Con piedini laccati bianco/nero lucido
*Platform with plane in opaque faced panel
With glossy white/black lacquered legs
L.100 x P.45 x H.25 cm*



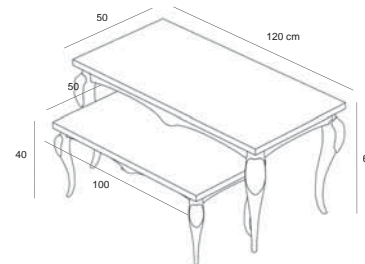




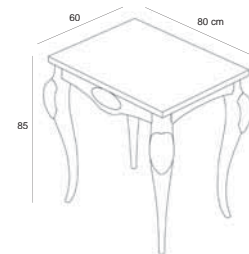
TAVOLI
TABLES



STAV1/L
Tavolo matrioska grande con gambe tornite piano in nobilitato lucido, gambe laccate lucide
"Matrioska" large table with glossy lacqued legs and glossy faced top
L.160 x P.80 x H.85 cm



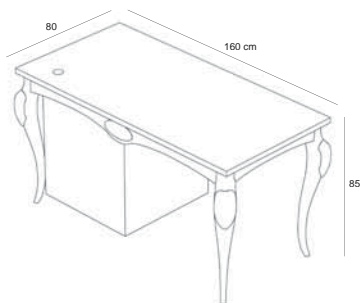
STAV2/L
Tavolo matrioska medio con gambe tornite piano in nobilitato lucido, gambe laccate lucide
"Matrioska" medium table with glossy lacqued legs and glossy faced top
L.120 x P.50 x H.60 cm



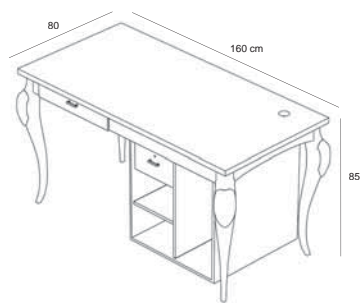
STD/L
Tavolo-desk con gambe tornite piano in nobilitato lucido, gambe laccate lucide
Desk-table with glossy lacqued legs and glossy faced top
L.80 x P.60 x H.85 cm

STAV3/L
Tavolo matrioska piccolo con gambe tornite piano in nobilitato lucido, gambe laccate lucide
"Matrioska" small table with glossy lacqued legs and glossy faced top
L.100 x P.50 x H.40 cm

TAVOLO CASSA
CASH TABLE



STC/L
Tavolo cassa con gambe tornite con vano porta PC e ripiani Piano in nobilitato lucido, gambe laccate lucide
Struttura esterna vano in nobilitato lucido
Cash table with glossy lacquered legs and glossy faced top With PC compartment and shelves
Compartment external structure in glossy faced panel
L.160 x P.80 x H.85 cm

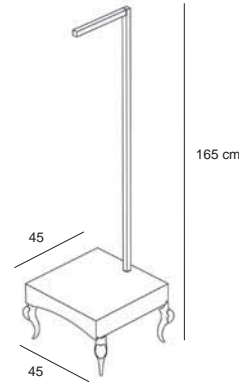


STC/LN
Tavolo cassa con gambe tornite con vano porta PC e ripiani Piano in nobilitato lucido, gambe laccate lucide
Struttura esterna vano in nobilitato opaco
Cash table with glossy lacquered legs and glossy faced top With PC compartment and shelves
Compartment external structure in opaque faced panel
L.160 x P.80 x H.85 cm



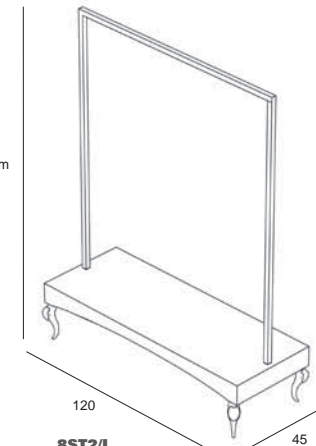


STENDERS
STENDERS



8ST1/L
Base in nobilitato lucido
Con piedini laccati bianco/nero lucido
Tubo appenderia in acciaio spazzolato
Base in glossy faced panel
With glossy white/black lacquered legs
Crossbar tube in metal, brushed steel finishing
L.45 x P.45 x H.165 cm

165 cm

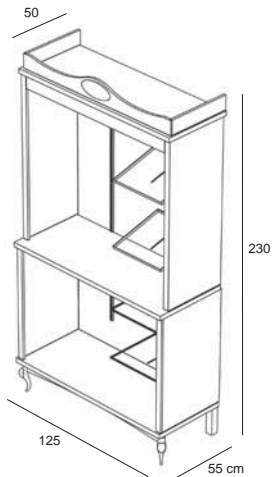


8ST2/L
Base in nobilitato lucido
Con piedini laccati bianco/nero lucido
Tubo appenderia in acciaio spazzolato
Base in glossy faced panel
With glossy white/black lacquered legs
Crossbar tube in metal, brushed steel finishing
L.120 x P.45 x H.165 cm

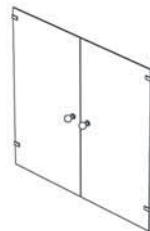
8ST1/N
Base in nobilitato opaco
Con piedini laccati bianco/nero lucido
Tubo appenderia in acciaio spazzolato
Base in opaque faced panel
With glossy white/black lacquered legs
Crossbar tube in metal, brushed steel finishing
L.45 x P.45 x H.165 cm

8ST2/N
Base in nobilitato opaco
Con piedini laccati bianco/nero lucido
Tubo appenderia in acciaio spazzolato
Base in opaque faced panel
With glossy white/black lacquered legs
Crossbar tube in metal, brushed steel finishing
L.125 x P.45 x H.165 cm

CREDENZA
CUPBOARD



8CRE/L
Credenza con illuminazione interna
Con doppia cremagliera
In nobilitato lucido
Con piedini ed ovale laccati bianco/nero lucido
Cupboard with internal lighting
With double rack
In glossy faced panel
With glossy white/black lacquered legs and oval
L.125 x P.55 x H.230 cm



8CRE1/V
Coppia ante in vetro temperato per parte superiore credenza
Pair of tempered glass doors for cupboard's top

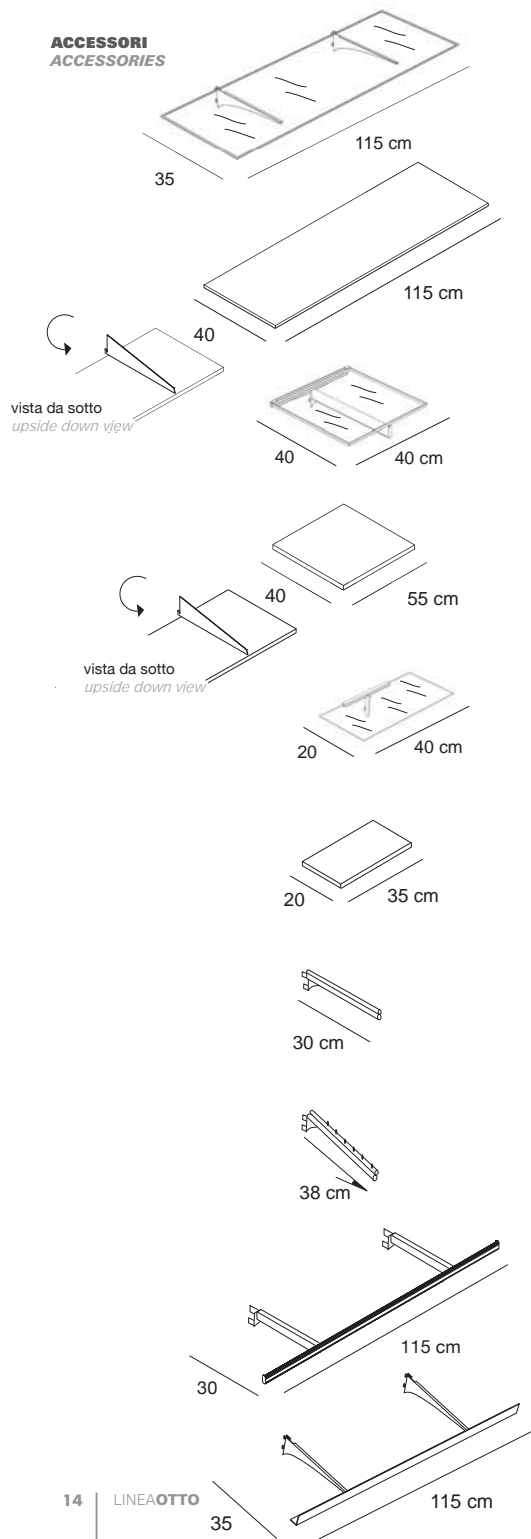
8CRE/N
Credenza con illuminazione interna
Con doppia cremagliera
In nobilitato opaco
Con piedini ed ovale laccati bianco/nero lucido
Cupboard with internal lighting
With double rack
In opaque faced panel
With glossy white/black lacquered legs and oval
L.125 x P.55 x H.230 cm



8CRE2/V
Coppia ante in vetro temperato per parte inferiore credenza
Pair of tempered glass doors for cupboard's bottom



ACCESSORI
ACCESSORIES



8ME/V

Mensola in vetro con coppia staffe in metallo (cromo opaco)
Glass shelf with metal brackets (opaque chromium)
L.115 x P.40 cm sp.8 mm



max 25 kg / 55 lbs

8ME/L

Mensola in nobilitato lucido con coppia staffe in metallo (cromo opaco)
Shelf in glossy faced panel with metal brackets (opaque chromium)
L.115 x P.40 cm sp.18 mm



max 25 kg / 55 lbs

8MEM/V

Mensola in vetro con staffa in metallo (cromo opaco)
Glass shelf with metal bracket (opaque chromium)
L.40 x P.40 cm sp.8 mm



max 20 kg / 44 lbs

8MEM/L

Mensola in nobilitato lucido con staffa in metallo (cromo opaco)
Shelf in glossy faced panel with metal bracket (opaque chromium)
L.55 x P.40 cm sp.18 mm



max 20 kg / 44 lbs

8MES/V

Mensola in vetro con staffa (cromo opaco)
Glass shelf with metal bracket (opaque chromium)
L.40 x P.20 cm sp. 18 mm



max 15 kg / 33 lbs

8MES/L

Mensola in nobilitato lucido con staffa in metallo (cromo opaco)
Shelf in glossy faced panel with metal bracket (opaque chromium)
L.35 x P.20 cm sp. 8 mm



max 15 kg / 33 lbs

8APF

Appenderia frontale dritta in metallo (cromo opaco)
Straight frontal crossbar (opaque chromium)
L. 30 cm



max 15 kg / 33 lbs

8APFZ

Appenderia frontale inclinata in metallo (cromo opaco)
Tilted frontal crossbar (opaque chromium)
L. 38 cm



max 15 kg / 33 lbs

8BAP

Barra appenderia in metallo (cromo opaco)
Crossbar (opaque chromium)
L. 115 x P.30 cm



max 15 kg / 33 lbs

8MEZ

Staffa reggi mensola inclinata in metallo (cromo opaco)
Per mensola in vetro
Tilted bracket for shelf (opaque chromium)
For glass shelf



L.115 x P.35 cm max 20 kg / 44 lbs

CARTELLA COLORI - COLOUR CARD

NOBILITATI - FACED PANELS



BIANCO LUCIDO
GLOSSY WHITE



NERO LUCIDO
GLOSSY BLACK



RADICA
BRIAR ROOT FINISHING



RADICA BIANCA
WHITE BRIAR ROOT FINISHING

VETRO TEMPERATO - TEMPERED GLASS



TRASPARENTE
CLEAR

PLEXIGLASS



TRASPARENTE
TRANSPARENT

METALLO - METAL



CROMO OPACO
OPAQUE CHROMIUM